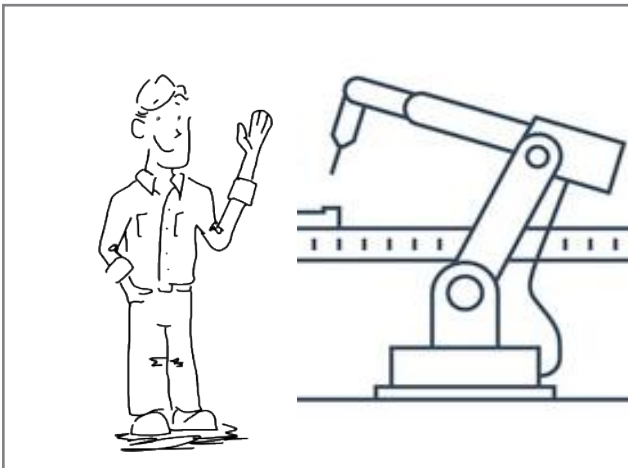


This is Steve.

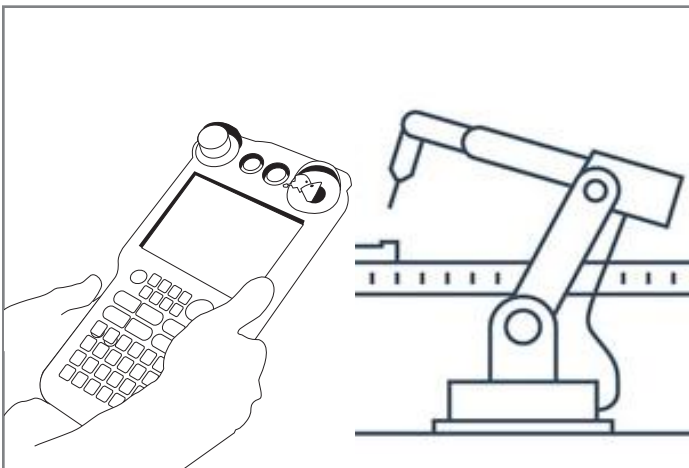
Steve is the CEO of a manufacturing facility that produces farm equipment

Steve is drawn.
Facility is drawn 2nd.



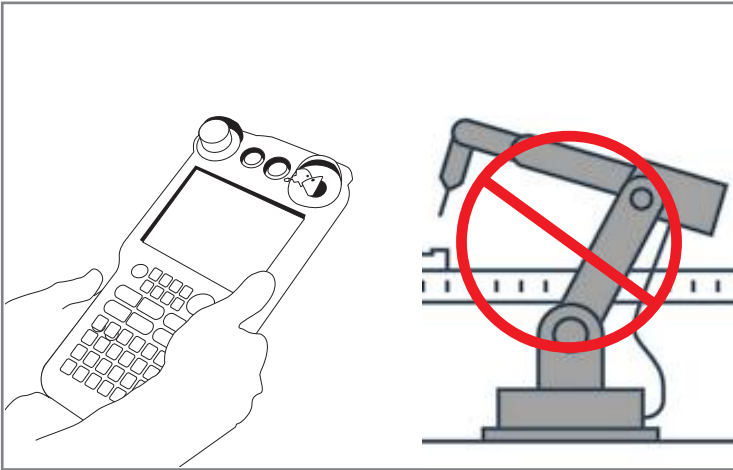
He has invested in an industrial robot to perform complex welding applications

Facility is erased.
Robot is drawn in.



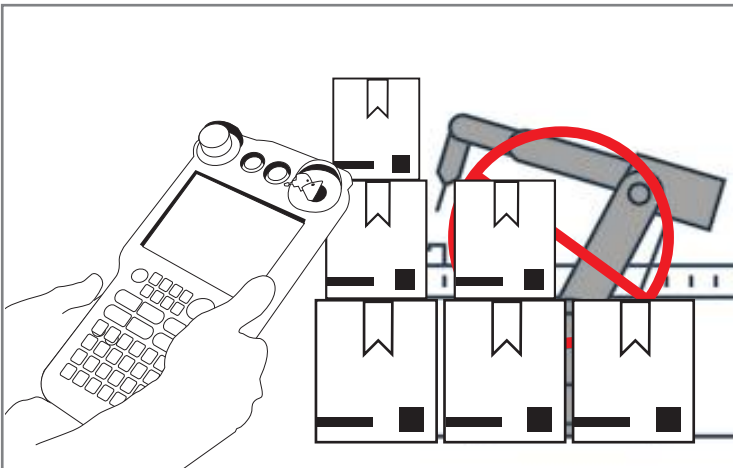
...But unfortunately for Steve, programming his robot using the traditional teach pendant method has limited productivity

Steve is removed.
Pendant is drawn in.



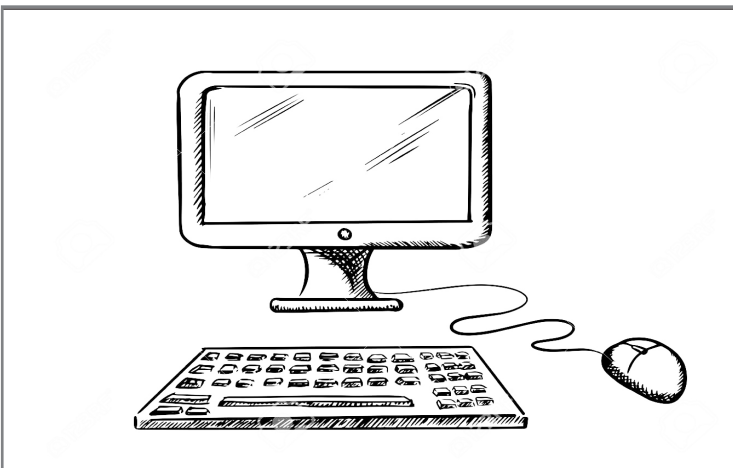
The process is cumbersome, slow, and requires the robot to be taken out of production, in some cases for an extended period of time

Robots goes grey with X.



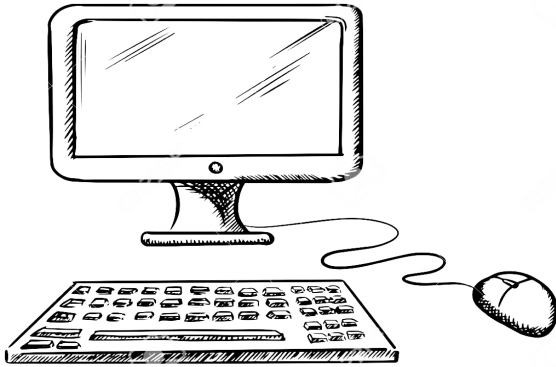
While his robot is being programmed, jobs are piling up and Steve risks losing money on his investment.

Boxes begin to pile up in front of robot



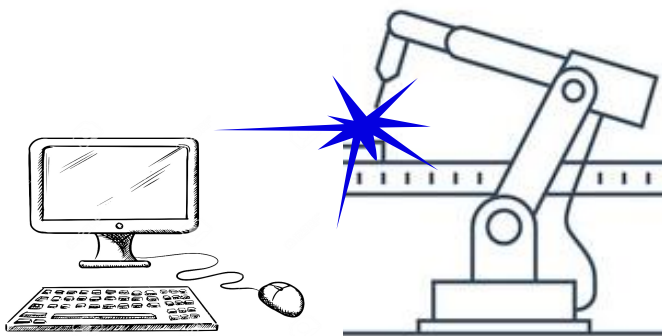
Fortunately, there is now a way to program robots without the need for production downtime.

All is erased.
Then computer is drawn with a real video of our software.



Offline Robot Programming enables robot functions to be programmed in an offline environment, on a computer, using an exact 3D simulation of the manufacturing cell.

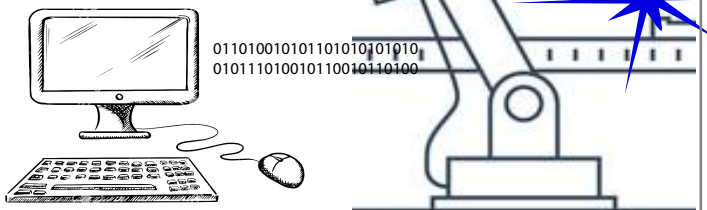
Video changes to different screen shot



In the virtual cell, the optimal paths for performing tasks are identified and programmed, errors are resolved...

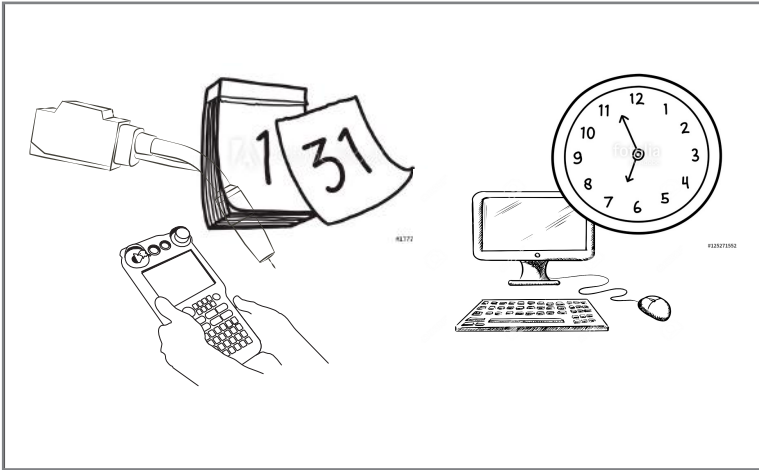
Computer zooms out and a Robot arm in foreground appears with simple movement.
Up above part.
Down with blue weld spark.

Robot stays
in production



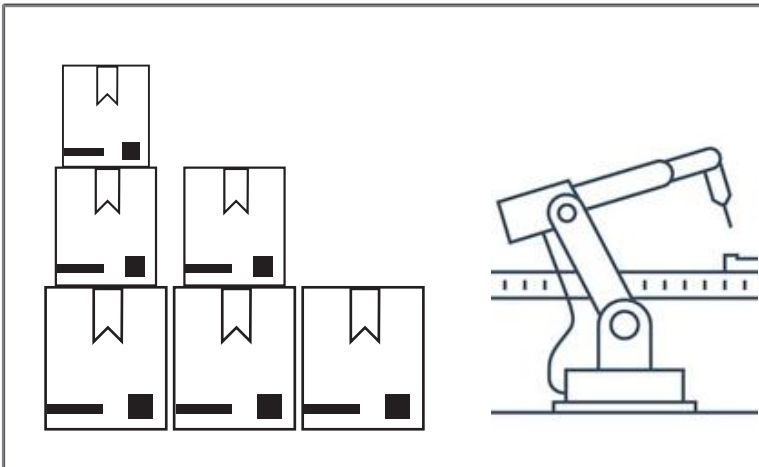
...and the code is outputted for use in the real world.
All the while, Steve's robot stays in production and working for him

Stream of code appears and feeds into robot
After code stops, Robot direction flips. New part appears and robot continues with animation from before w blue spark...possibly larger.
Words from above appear to emphasise robot stays working (is there a better phrase?)



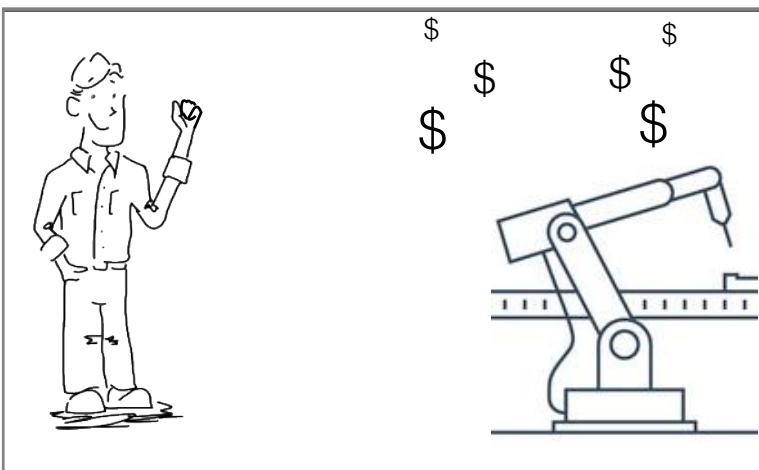
With Offline Robot Programming, the time it takes to reprogram new functions can be reduced from days to hours...

Calendar with ripped pages appears. Then replaced with a clock.



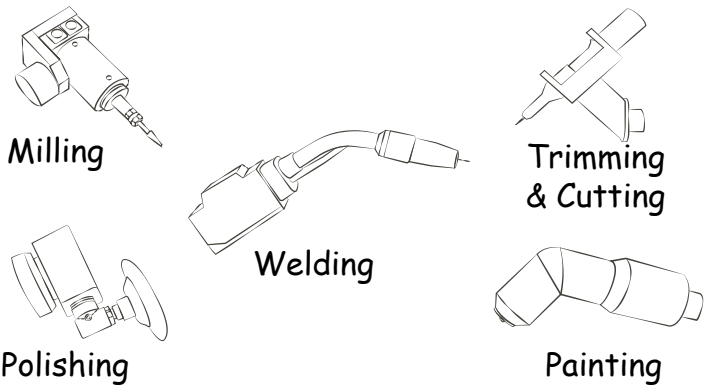
...Meaning Steve can now use his robot for short-run production as well as long-term tasks.

Robot re-appears.
Several boxes begin appearing to represent jobs going out.



Offline Robot Programming makes complex programming simple so Steve can get the most from his robot investment.

Steve is happy.
Robots have dollar figures coming off of them.

 <p>Milling</p> <p>Welding</p> <p>Trimming & Cutting</p> <p>Polishing</p> <p>Painting</p>	<p>And it's not just ideal for welding applications</p> <p>Offline Robot Programming is perfect for a multitude of complex industrial applications, such as milling, trimming and cutting, painting, and polishing</p>
--	--

 <p>www.octopuz.com</p>	<p>To find out more about Offline Robot Programming and how it can keep your robots working for you, visit w-w-w-dot-OCTO-PUZ-dot-com today</p>
---	--